

**ENDOSCOPIC
SPINE SURGERY**

INDEX

SET TRANSFORAMINAL 3

SET INTERLAMINAR 4

SET STENOSIS 5

TREPHINE HANDLE 6

METAL HAMMER 6

GUIDE WIRE 6

SPINAL NEEDLE 6

DILATOR 2-CHANNEL 7

DILATOR SINGLE HOLE..... 7

PROBES 8-9

TREPHINE 10

CANNULATED PROBE 10

FLEXIBLE PROBE WITH BALL TIP 10

IMPACTOR 10

DRILL 11

TREPHINE PROTECTION TUBE..... 11

TREPHINE (CERVICAL) 12

DILATOR WORKING SLEEVE 12

ROD PUSHER 13

DILATOR CONICAL..... 13

DILATOR CONICAL TUBES 14

WORKING TUBES 15-18

GRASPING FORCEPS 19

DUCK JAW PUNCH STRAIGHT 19

BLAKESLEY BIOPSY GRASPING FORCEPS 19

CUP FORCEPS..... 20

SCISSORS PUNCH 21

HOOK SCISSORS 21

MICRO SPOON 22

SUCTION PUNCH 23

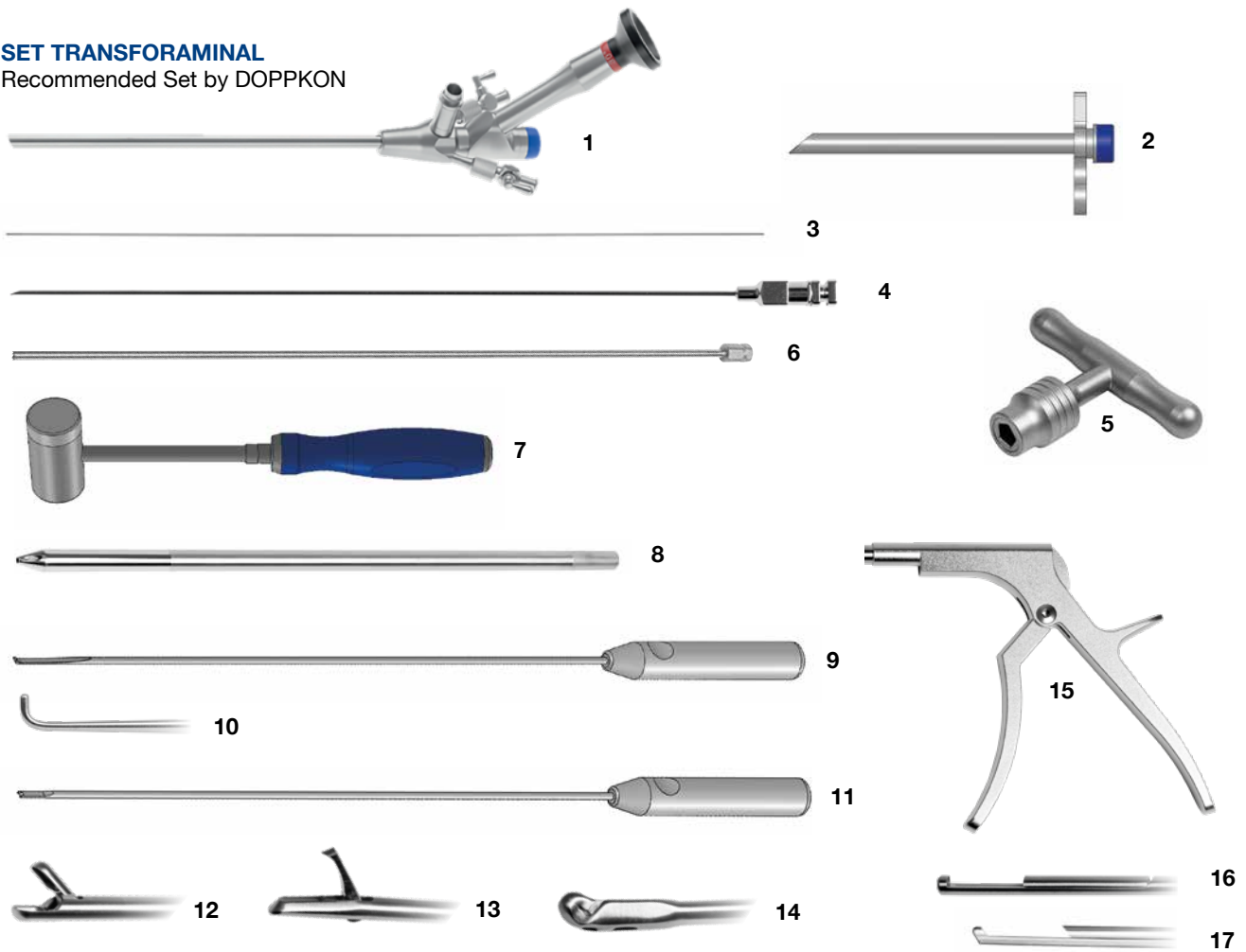
ENDOSCOPIC KERRISON HANDLE 24

ENDOSCOPIC KERRISON SHAFT 24-25

SOPES 26

SET TRANSFORAMINAL

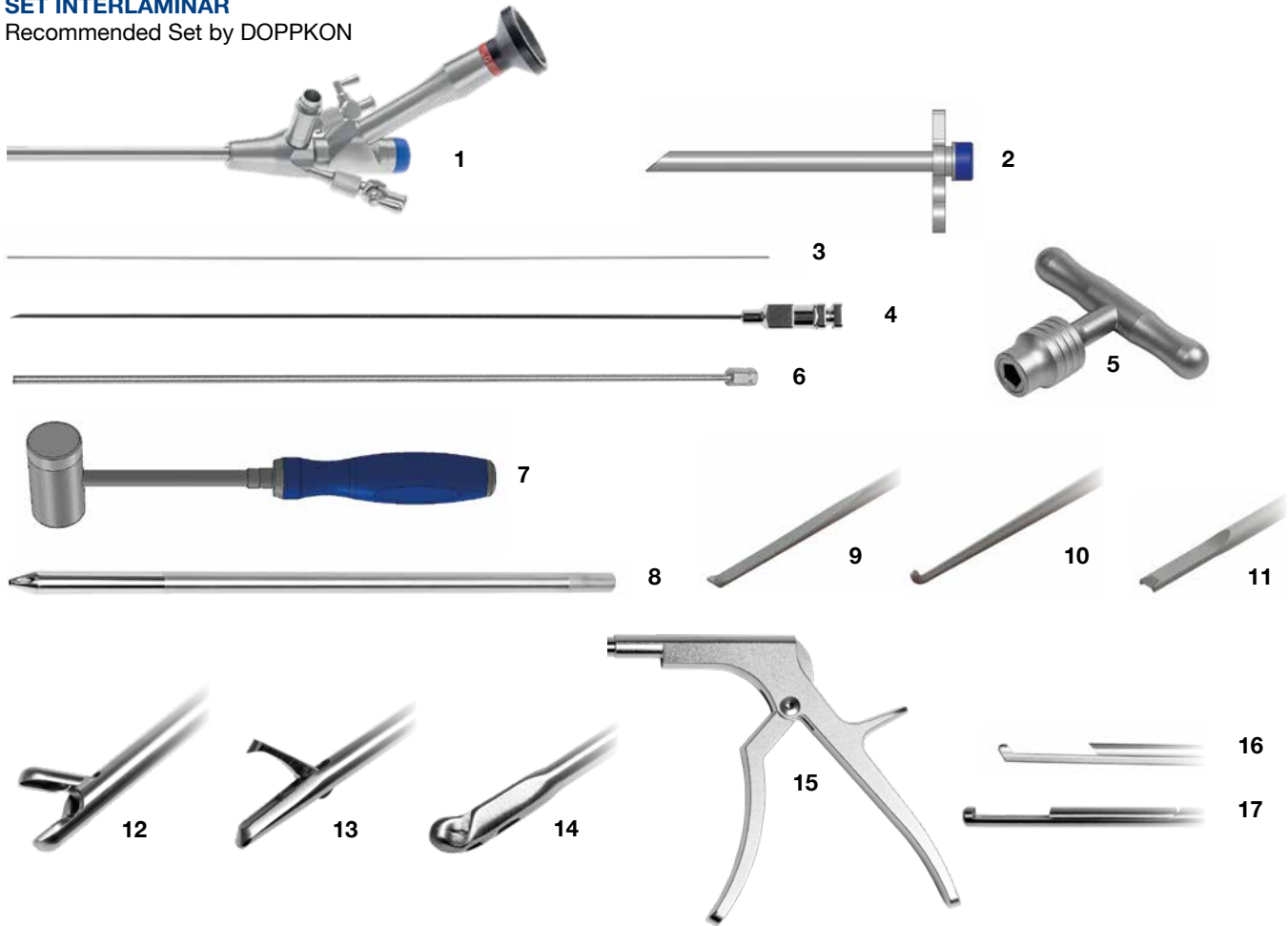
Recommended Set by DOPPKON



Article No.	Article Description	No
A-100-611	Scope Transforaminal D 7.0mm, WL 181mm, WC 4.3mm, 30°	1
A-100-109	Working Tube Oblique Window ID 7.2mm, OD 8.0mm, WL 178mm	2
A-100-574	Guide Wire Nitinol D 0.8mm, WL 450mm	3
A-100-599	Spinal Needle	4
A-100-048	Trephine Handle	5
A-100-052	Trephine ID 2.55mm, OD 3.55mm, WL 350mm	6
A-100-057	Metal Hammer blue, silicon handle with plastic stopper (one-sided), OD 30mm, WL 240mm	7
A-100-059	Dilator 2-channel D 5.3mm, WL 225mm	8
A-100-069	Probe D 3.0mm, WL 310mm	9
A-100-070	Hook Probe D 3.0mm, WL 310mm	10
A-100-067	Bone Chisel D 3.0mm, WL 310mm	11
A-100-006	Cup Forceps Straight Jaw D 2.5mm, WL 330mm	12
A-100-043	Scissors Punch Straight Jaw D 2.5mm, WL 330mm	13
A-100-023	Micro Spoon Straight Jaw D 2.0mm, WL 330mm	14
A-100-126	Endoscopic Kerrison Handle	15
A-100-134	Endoscopic Kerrison Punch D 3.5mm, 90°, WL 360mm	16
A-100-127	Kerrisons Punch 40° D 3.5mm, WL 360mm	17

SET INTERLAMINAR

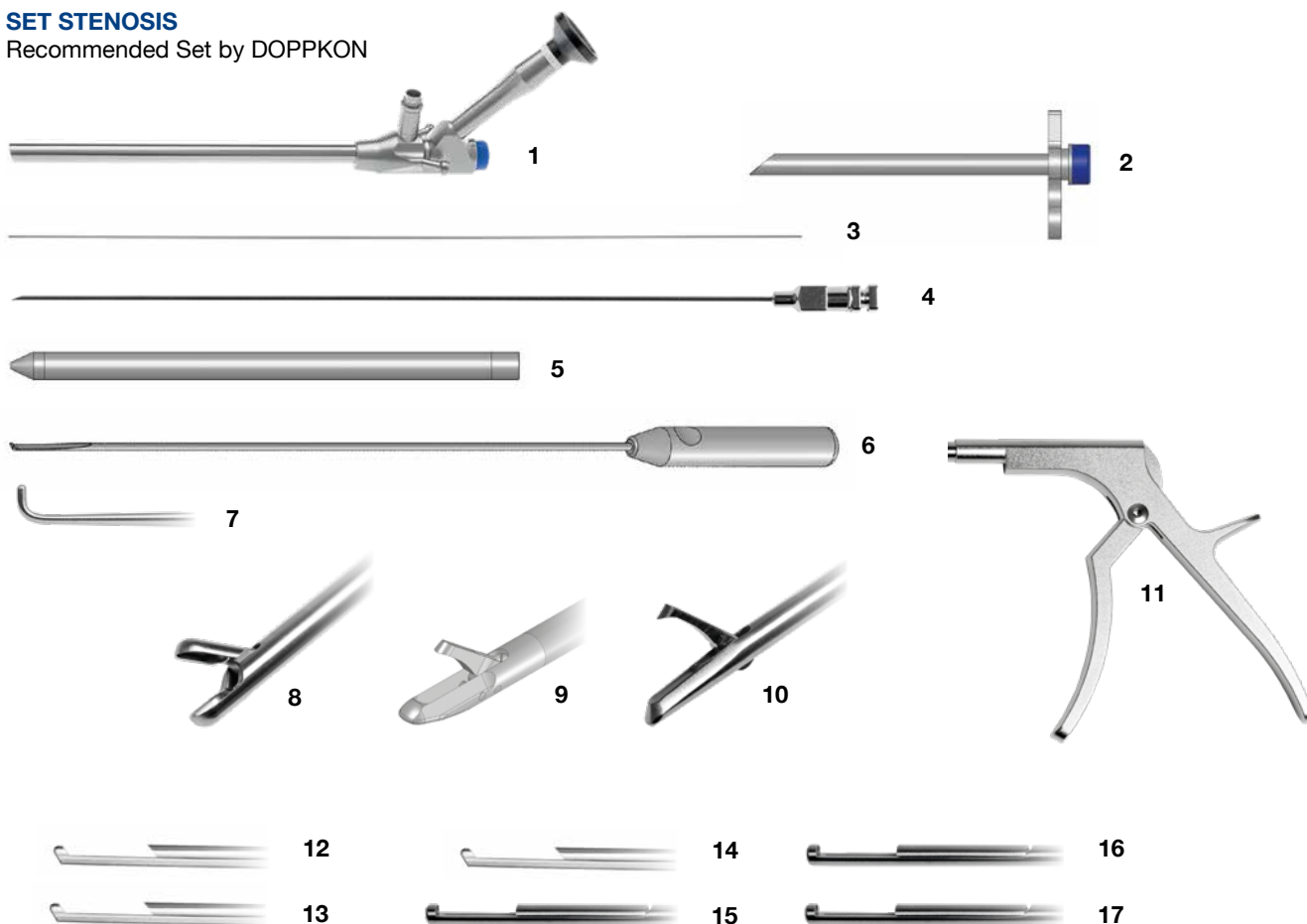
Recommended Set by DOPPKON



Article No.	Article Description	No
A-100-609	Scope Interlaminar D 7.0mm, WL 130mm, WC 4,3mm, 30°	1
A-100-113	Working Tube Oblique Window ID 7.2mm, OD 8.0mm, WL 125mm	2
A-100-574	Guide Wire Nitinol D 0.8mm, WL 450mm	3
A-100-599	Spinal Needle	4
A-100-048	Trephine Handle	5
A-100-052	Trephine ID 2.55mm, OD 3.55mm, WL 350mm	6
A-100-057	Metal Hammer blue, silicon handle with plastic stopper (one-sided), OD 30mm, WL 240mm	7
A-100-058	Dilator 2-channel D 5.0mm, WL 225mm	8
A-100-657	Probe D 3.0, WL 260mm	9
A-100-658	Hook Probe D 3.0mm, WL 260mm	10
A-100-655	Bone chisel D 3.0mm, WL 260mm	11
A-100-003	Cup Forceps Straight Jaw D 3.5mm, WL 260mm	12
A-100-041	Scissors Punch Up Angled Jaw D 2.5mm, WL 260mm	13
A-100-640	Micro Spoon Up Angled Jaw D 2.0mm, WL 260mm	14
A-100-126	Endoscopic Kerrison Handle	15
A-100-130	Endoscopic Kerrison Punch D 3.5mm, 40°, WL 260mm	16
A-100-135	Endoscopic Kerrison Punch D 3.5mm, 90°, WL 260mm	17

SET STENOSIS

Recommended Set by DOPPKON



Article No.	Article Description	No
A-100-396	Scope Stenosis D 10mm, working channel: 7.1mm, 139mm working length, 15° viewing angle	1
A-001-144	Working Tube Oblique Window ID 10.2mm, OD 11.2mm, WL 134mm	2
A-100-574	Guide Wire Nitinol D 0.8mm, WL 450mm	3
A-100-599	Spinal Needle	4
A-001-190	Dilator, Single Hole D 10.0mm, WL 185mm	5
A-100-069	Probe D 3.0, WL 310mm	6
A-100-070	Hook Probe D 3.0mm, WL 310mm angled	7
A-100-004	Cup Forceps Straight Jaw D 4.0mm, WL 260mm	8
A-100-037	Duck Jaw Punch Straight D 3.5mm, WL 260mm	9
A-100-041	Scissors Punch Up Angled Jaw D 2.5mm, WL 260mm	10
A-100-126	Endoscopic Kerrison Handle	11
A-100-133	Endoscopic Kerrison Punch D 4.0mm, 40°, WL 260mm	12
A-100-138	Endoscopic Kerrison Punch D 5.0mm, 40°, WL 260mm	13
A-100-139	Endoscopic Kerrison Punch D 6.0mm, 40°, WL 260mm	14
A-100-137	Endoscopic Kerrison Punch D 4.0mm, 90°, WL 260mm	15
A-100-131	Endoscopic Kerrison Punch D 5.0mm, 90°, WL 260mm	16
A-100-132	Endoscopic Kerrison Punch D 6.0mm, 90°, WL 260mm	17



TREPHINE HANDLE

A-100-048
T Handle



METAL HAMMER

A-100-057
Metal Hammer
blue, silicon handle
with plastic stopper (one-sided)
OD 30mm, WL 240mm



A-100-547
Metal Hammer
black, silicon handle
with plastic stopper (both-sided)
OD 25mm, WL 200mm



GUIDE WIRE

A-100-574
Guide Wire Nitinol
D 0.8mm, WL 450mm



A-100-563
Guide Wire Titan
D 0.8mm, WL 450mm



SPINAL NEEDLE

A-100-599
Spinal Needle
OD 1.25mm, ID 0.99mm, WL 180mm





DILATOR 2-CHANNEL

A-100-058

D 5.0mm, WL 225mm

A-100-059

D 5.3mm, WL 225mm

A-100-060

D 6.3mm, WL 225mm

A-100-061

D 7.0mm, WL 225mm

DILATOR SINGLE HOLE

A-001-190

Dilator

D 10.0mm, WL 185mm



PROBES

	Bone chisel blunt	Bone chisel
Plastic handle weight 65gr. 	A-100-664 D 3.0mm, WL 260mm	A-100-665 D 3.0mm, WL 260mm
	A-100-659 D 3.0mm, WL 310mm	A-100-660 D 3.0mm, WL 310mm
Silicone handle weight 80gr. 	A-100-649 D 3.0mm, WL 260mm	A-100-650 D 3.0mm, WL 260mm
	A-100-642 D 3.0mm, WL 310mm	A-100-643 D 3.0mm, WL 310mm
Squared handle steel weight 100gr. 	A-100-674 D 3.0mm, WL 260mm	A-100-675 D 3.0mm, WL 260mm
	A-100-669 D 3.0mm, WL 310mm	A-100-670 D 3.0mm, WL 310mm
	A-100-682 D 2.5mm, WL 260mm	A-100-683 D 2.5mm, WL 260mm
	A-100-679 D 2.5mm, WL 310mm	A-100-680 D 2.5mm, WL 310mm
Knurled handle steel weight 140gr. 	A-100-654 D 3.0mm, WL 260mm	A-100-655 D 3.0mm, WL 260mm
	A-100-066 D 3.0mm, WL 310mm	A-100-067 D 3.0mm, WL 310mm

PROBES

Bone chisel awl	Probe	Hook Probe
 A-100-666 D 3.0mm, WL 260mm	 A-100-667 D 3.0mm, WL 260mm	 A-100-668 D 3.0mm, WL 260mm
A-100-661 D 3.0mm, WL 310mm	A-100-662 D 3.0mm, WL 310mm	A-100-663 D 3.0mm, WL 310mm
A-100-651 D 3.0mm, WL 260mm	A-100-652 D 3.0mm, WL 260mm	A-100-653 D 3.0mm, WL 260mm
A-100-644 D 3.0mm, WL 310mm	A-100-645 D 3.0mm, WL 310mm	A-100-646 D 3.0mm, WL 310mm
A-100-676 D 3.0mm, WL 260mm	A-100-677 D 3.0mm, WL 260mm	A-100-678 D 3.0mm, WL 260mm
A-100-671 D 3.0mm, WL 310mm	A-100-672 D 3.0mm, WL 310mm	A-100-673 D 3.0mm, WL 310mm
A-100-684 D 2.5mm, WL 260mm	A-100-685 D 2.5mm, WL 260mm	A-100-686 D 2.5mm, WL 260mm
A-100-681 D 2.5mm, WL 310mm	A-100-647 D 2.5mm, WL 310mm	A-100-648 D 2.5mm, WL 310mm
A-100-656 D 3.0mm, WL 260mm	A-100-657 D 3.0mm, WL 260mm	A-100-658 D 3.0mm, WL 260mm
A-100-068 D 3.0mm, WL 310mm	A-100-069 D 3.0mm, WL 310mm	A-100-070 D 3.0mm, WL 310mm

TREPINE

A-100-049

ID 4.1mm, OD 5.1mm, WL 225mm

A-100-050

ID 5.6mm, OD 6.6mm, WL 225mm

A-100-051

ID 6.6mm, OD 7.6mm, WL 225mm

A-100-052

ID 2.55mm, OD 3.55mm, WL 350mm

A-100-053

ID 3.1mm, OD 4.1mm, WL 350mm



NITINOL PROBE

A-001-340

OD 3.5mm, WL 300mm



**FLEXIBLE PROBE
with ball tip**

A-001-131

D 1.8mm, WL 330mm



IMPACTOR

A-001-395

ID 7.5mm, WL 80mm



DRILL



A-100-054
Drill retrograde
D 5.0mm, WL 260mm

A-100-055
Drill retrograde
D 6.5mm, WL 260mm

A-100-056
Drill retrograde
D 7.5mm, WL 260mm

TREPHINE PROTECTION TUBE

A-100-083
ID 5.2mm, OD 6.0mm, WL 160mm

A-100-085
ID 6.7mm, OD 7.5mm, WL 160mm

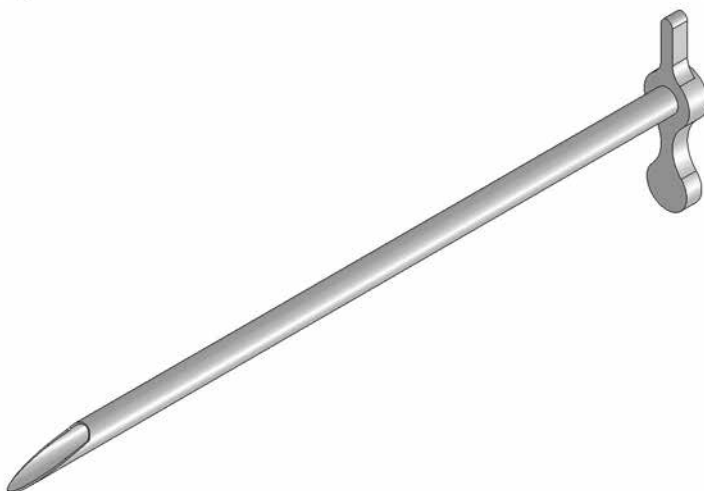
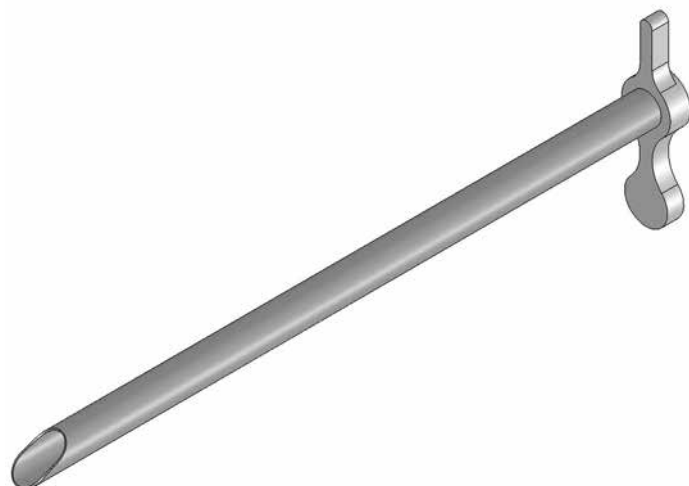
A-100-087
ID 7.7mm, OD 8.5mm, WL 160mm

A-100-084
ID 5.2mm, OD 6.0mm, WL 180mm

A-100-086
ID 6.7mm, OD 7.5mm, WL 180mm

A-100-088
ID 7.7mm, OD 8.5mm, WL 180mm

A-100-089
ID 10.0mm, OD 11mm, WL 175mm



TREPHINE (CERVICAL)

A-100-071

ID 1.5mm, OD 2.0mm, WL 260mm

A-100-072

ID 2.7mm, OD 3.1mm, WL 180mm

A-100-073

ID 3.3mm, OD 3.7mm, WL 150mm



DILATOR WORKING SLEEVE (CERVICAL)

A-100-090

Straight tip

ID 3.8mm, OD 4.1mm, WL 100mm



A-100-091

Oblique tip

ID 3.8mm, OD 4.1mm, WL 105mm



ROD PUSHER



A-100-074

ID 1.0mm, OD 2.5mm, WL 230mm

A-100-075

ID 1.5mm, OD 4.0mm, WL 230mm

A-100-076

ID 2.0mm, OD 5.0mm, WL 230mm

DILATOR CONICAL

A-100-077

ID 1.0mm, OD 2.5mm, WL 230mm

A-100-078

ID 1.5mm, OD 4.0mm, WL 230mm

A-100-079

ID 2.0mm, OD 5.0mm, WL 230mm





DILATOR CONICAL TUBES

A-100-080

ID 4.2mm, OD 5.1mm, WL 170mm



A-100-081

ID 5.2mm, OD 6.0mm, WL 160mm



A-100-082

ID 2.8mm, OD 4.1mm, WL 185mm



DILATOR ANGLED

A-100-540

ID 1.0mm, OD 4.0mm, WL 220mm



WORKING TUBES

A-100-092

Straight

ID 6.5mm, OD 7.5mm, WL 178mm

A-100-093

Straight

ID 7.2mm, OD 8.0mm, WL 178mm

A-100-094

Straight

ID 6.5mm, OD 7.5mm, WL 130mm

A-100-095

Straight

ID 7.2mm, OD 8.0mm, WL 130mm

A-001-191

Straight

ID 10.2mm, OD 11.2mm, WL 134mm

A-100-096

Dual Window

ID 6.5mm, OD 7.5mm, WL 178mm

A-100-097

Dual Window

ID 7.2mm, OD 8.0mm, WL 178mm

A-100-098

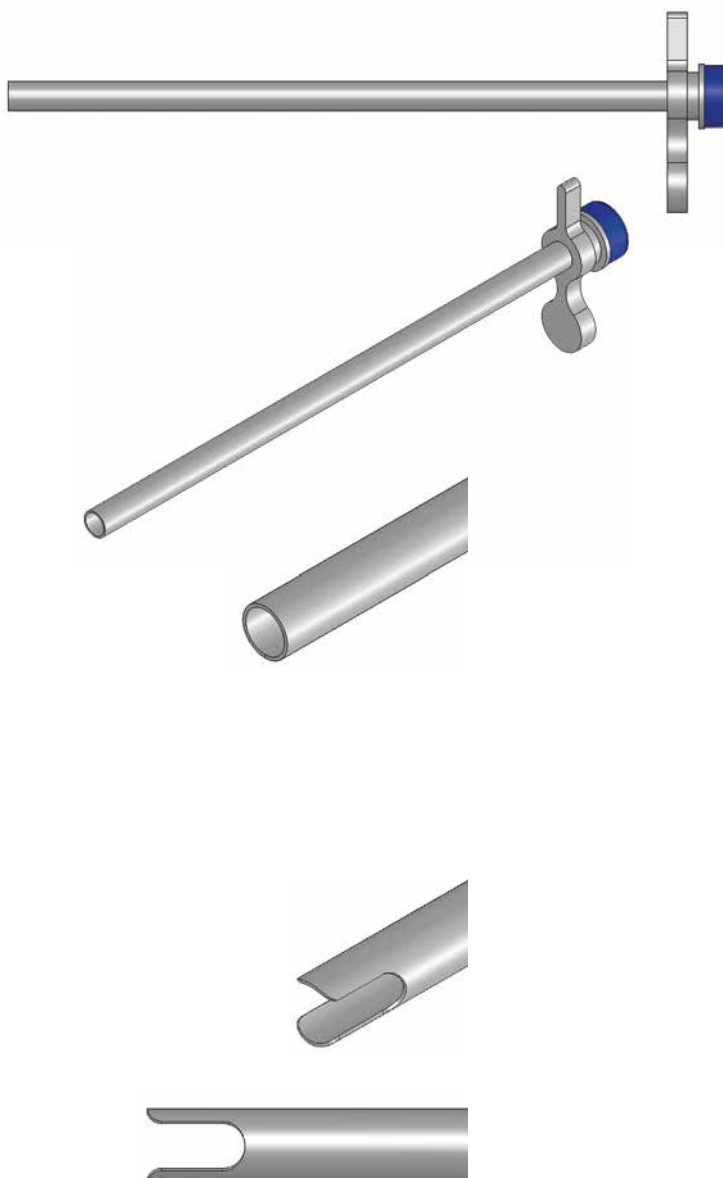
Dual Window

ID 6.5mm, OD 7.5mm, WL 130mm

A-100-099

Dual Window

ID 7.2mm, OD 8.0mm, WL 130mm



WORKING TUBES

A-100-100

Lateral Window

ID 6.5mm, OD 7.5mm, WL 178mm

A-100-101

Lateral Window

ID 7.2mm, OD 8.0mm, WL 178mm

A-100-102

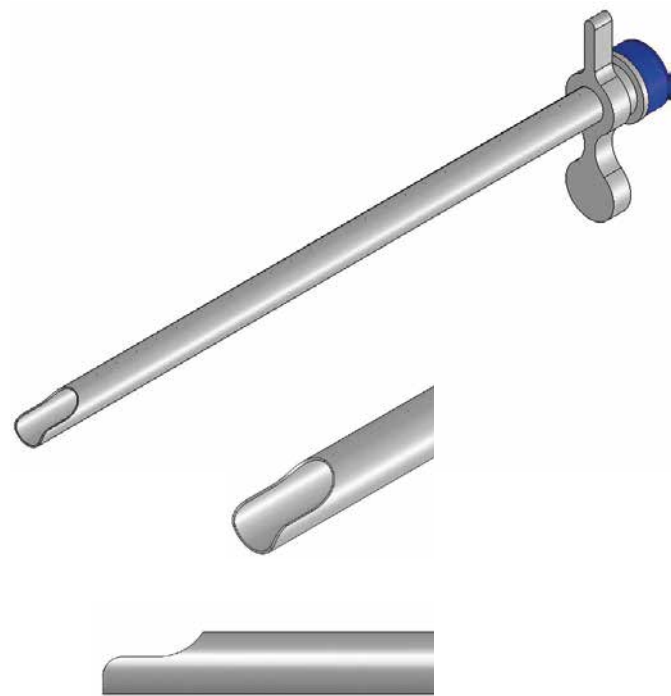
Lateral Window

ID 6.5mm, OD 7.5mm, WL 130mm

A-100-103

Lateral Window

ID 7.2mm, OD 8.0mm, WL 130mm



A-100-104

Long Window

ID 6.5mm, OD 7.5mm, WL 178mm

A-100-105

Long Window

ID 7.2mm, OD 8.0mm, WL 178mm

A-100-106

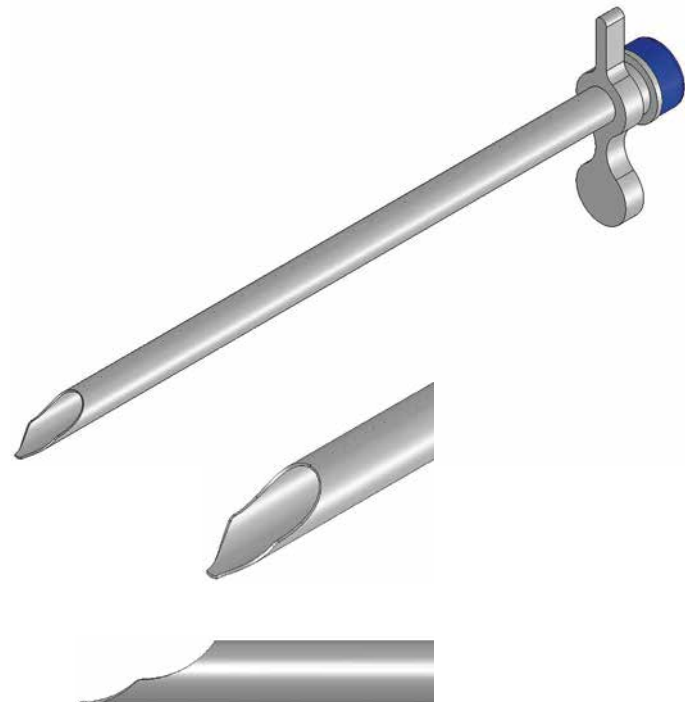
Long Window

ID 6.5mm, OD 7.5mm, WL 130mm

A-100-107

Long Window

ID 7.2mm, OD 8.0mm, WL 130mm



WORKING TUBES

A-100-108

Oblique Window

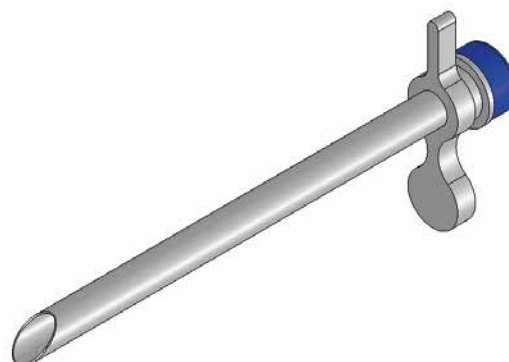
ID 6.5mm, OD 7.5mm, WL 178mm



A-100-109

Oblique Window

ID 7.2mm, OD 8.0mm, WL 178mm



A-100-110

Oblique Window

ID 6.5mm, OD 7.5mm, WL 130mm

A-100-111

Oblique Window

ID 7.2mm, OD 8.0mm, WL 130mm

A-100-112

Oblique Window

ID 6.5mm, OD 7.5mm, WL 125mm

A-100-113

Oblique Window

ID 7.2mm, OD 8.0mm, WL 125mm



A-001-144

Oblique Window

ID 10.2mm, OD 11.2mm, WL 134mm

WORKING TUBES

A-100-114

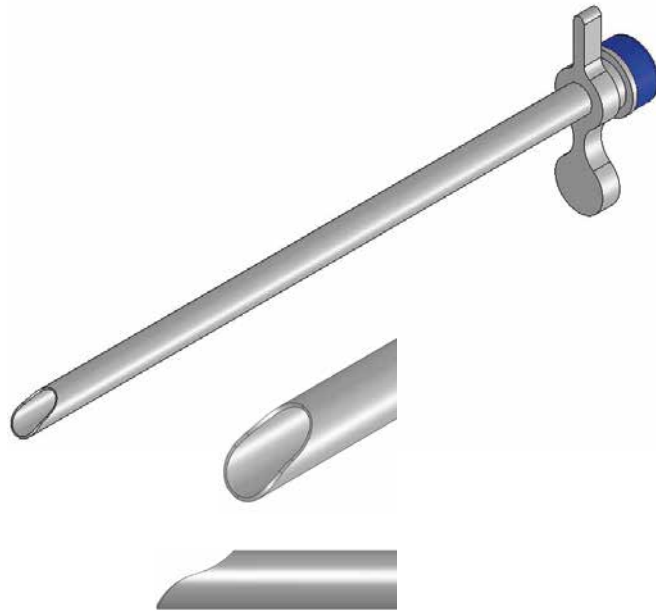
Short Elevator Tip

ID 6.5mm, OD 7.5mm, WL 125mm

A-100-115

Short Elevator Tip

ID 7.2mm, OD 8.0mm, WL 125mm



A-100-116

Elevator Tip

ID 6.5mm, OD 7.5mm, WL 105mm

A-100-117

Elevator Tip

ID 7.2mm, OD 8.0mm, WL 105mm

A-100-118

Elevator Tip

ID 6.2mm, OD 7.0mm, WL 138mm

A-100-119

Elevator Tip

ID 5.5mm, OD 6.5mm, WL 178mm

A-100-120

Elevator Tip

ID 6.2mm, OD 7.0mm, WL 178mm

A-100-121

Elevator Tip

ID 6.5mm, OD 7.5mm, WL 178mm

A-100-122

Elevator Tip

ID 7.2mm, OD 8.0mm, WL 178mm

A-100-123

Elevator Tip

ID 6.5mm, OD 7.5mm, WL 189mm

A-100-124

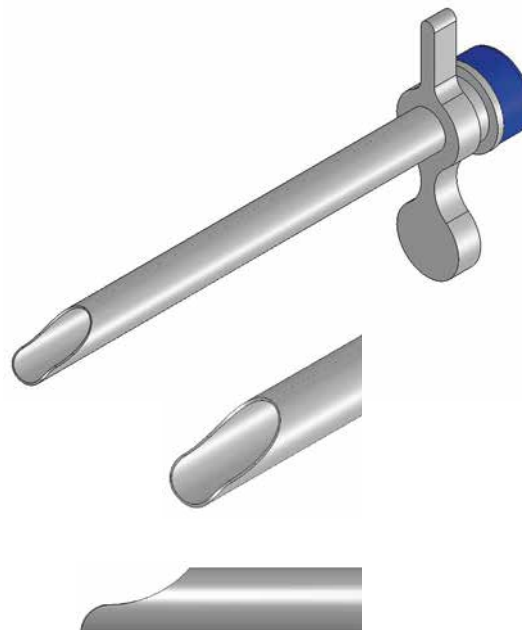
Elevator Tip

ID 7.2mm, OD 8.0mm, WL 189mm

A-100-125

Elevator Tip

ID 7.2mm, OD 8.0mm, WL 204mm



GRASPING FORCEPS

With overload protection for a safe use

A-100-011

Straight Jaw

D 2.0mm, WL 330mm

A-100-012

Straight Jaw

D 2.5mm, WL 330mm

A-100-013

Straight Jaw

D 3.5mm, WL 330mm

A-100-014

Straight Jaw

D 4.0mm, WL 330mm



DUCK JAW PUNCH STRAIGHT

A-100-037

D 3.5mm, WL 260mm

A-100-038

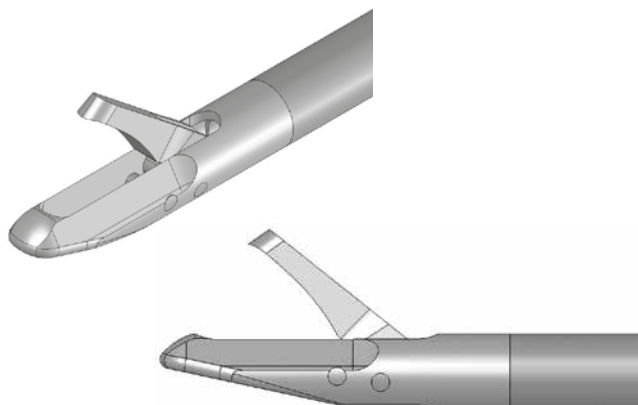
D 3.5mm, WL 330mm

A-100-638

D 2.5mm, WL 330mm

A-100-639

D 2.5mm, WL 260mm



BLAKESLEY BIOPSY GRASPING FORCEPS

A-100-405

D 2.5mm, WL 330mm

A-100-406

D 3.5mm, WL 330mm



CUP FORCEPS

A-100-001

Straight Jaw

D 2.0mm, WL 260mm

A-100-002

Straight Jaw

D 2.5mm, WL 260mm

A-100-003

Straight Jaw

D 3.5mm, WL 260mm

A-100-004

Straight Jaw

D 4.0mm, WL 260mm

A-100-006

Straight Jaw

D 2.5mm, WL 330mm

A-100-007

Up Angled Jaw

D 2.5mm, WL 330mm

A-100-008

Straight Jaw

D 3.0mm, WL 330mm

A-100-009

Straight Jaw

D 3.5mm, WL 330mm

A-100-010

Straight Jaw

D 4.0mm, WL 330mm

A-100-370

Teeth Straight Jaw

D 2.5mm, WL 260mm

A-100-371

Teeth Straight Jaw

D 3.5mm, WL 260mm

A-100-372

Teeth Straight Jaw

D 4.0mm, WL 260mm

A-100-373

Teeth Straight Jaw

D 2.0mm, WL 260mm

A-100-374

Teeth Straight Jaw

D 2.5mm, WL 260mm



SCISSORS PUNCH

A-100-040

Straight Jaw

D 2.5mm, WL 260mm

A-100-041

Up Angled Jaw

D 2.5mm, WL 260mm

A-100-042

Straight Jaw

D 3.0mm, WL 260mm

A-100-043

Straight Jaw

D 2.5mm, WL 330mm

A-100-044

Up Angled Jaw

D 2.5mm, WL 330mm

A-100-045

Straight Jaw

D 3.5mm, WL 330mm



HOOK SCISSORS

A-100-411

Straight Jaw

D 2.5mm, WL 260mm

A-100-414

Straight Jaw

D 2.5mm, WL 330mm



MICRO SPOON

A-100-015
Straight Jaw
D 2.5mm, WL 260mm

A-100-016
Straight Jaw
D 3.5mm, WL 260mm

A-100-017
Straight Jaw
D 4.0mm, WL 260mm

A-100-018
Straight Jaw
D 2.0mm, WL 330mm

A-100-019
Straight Jaw
D 2.5mm, WL 330mm

A-100-020
Straight Jaw
D 3.5mm, WL 330mm

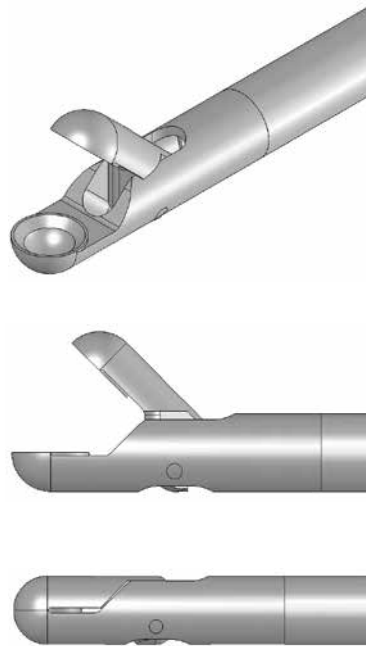
A-100-021
Straight Jaw
D 4.0mm, WL 330mm

A-100-022
Up Angled Jaw
D 2.5mm, WL 260mm

A-100-023
Up Angled Jaw
D 2.0mm, WL 330mm

A-100-024
Up Angled Jaw
D 2.5mm, WL 330mm

A-100-640
Up Angled Jaw
D 2.0mm, WL 260mm





SUCTION PUNCH

A-001-417

- D 5.0mm, WL 130mm
- D 5.0mm, WL 260mm
- D 5.0mm, WL 330mm

- D 3.5 mm, WL 130mm
- D 3.5 mm, WL 260mm
- D 3.5 mm, WL 330mm



ENDOSCOPIC KERRISON HANDLE

A-100-126



Also available
in black

ENDOSCOPIC KERRISON SHAFT



A-100-626

D 3.0mm, 40°, WL 200mm

A-100-622

D 3.0mm, 40°, WL 260mm

A-100-621

D 3.0mm, 40°, WL 300mm

A-100-620

D 3.0mm, 40°, WL 360mm

A-100-627

D 3.0mm, 90°, WL 200mm

A-100-624

D 3.0mm, 90°, WL 260mm

A-100-625

D 3.0mm, 90°, WL 300mm

A-100-623

D 3.0mm, 90°, WL 360mm

A-100-141

D 3.5mm, 40°, WL 200mm

A-100-130

D 3.5mm, 40°, WL 260mm

A-100-128

D 3.5mm, 40°, WL 300mm

A-100-127

D 3.5mm, 40°, WL 360mm

A-100-144

D 3.5mm, 90°, WL 200mm

A-100-135

D 3.5mm, 90°, WL 260mm

A-100-140

D 3.5mm, 90°, WL 300mm

A-100-134

D 3.5mm, 90°, WL 360mm

A-100-143

D 4.0mm, 40°, WL 200mm

A-100-133

D 4.0mm, 40°, WL 260mm

A-100-636

D 4.0mm, 40°, WL 260mm, angled

A-100-142

D 4.0mm, 40°, WL 300mm

A-100-129

D 4.0mm, 40°, WL 360mm

A-100-146

D 4.0mm, 90°, WL 200mm

A-100-137

D 4.0mm, 90°, WL 260mm

A-100-145

D 4.0mm, 90°, WL 300mm

A-100-136

D 4.0mm, 90°, WL 360mm

A-100-138

D 5.0mm, 40°, WL 260mm

A-100-131

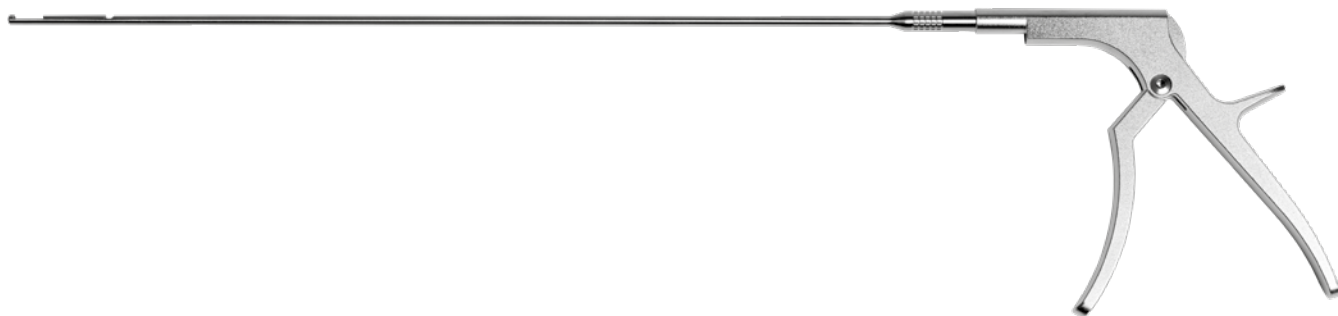
D 5.0mm, 90°, WL 260mm

A-100-139

D 6.0mm, 40°, WL 260mm

A-100-132

D 6.0mm, 90°, WL 260mm



SCOPES

High definition and excellent view
due to angled eyepiece

A-100-396

Ø 10mm, working channel: 7.1mm

139mm working length, 15° viewing angle
recommend for STENOSIS



A-100-608

Ø 6.3mm, working channel: 3.75mm

130mm working length, 30° viewing angle
recommend for INTERLAMINAR



A-100-609

Ø 7.0mm, working channel: 4.3mm

130mm working length, 30° viewing angle
recommend for INTERLAMINAR



A-100-611

Ø 7.0mm, working channel: 4.3mm

181mm working length, 30° viewing angle
recommend for TRANSFORAMINAL



DOPPKON GmbH & Co. KG
Einsteinstr. 30
78549 Spaichingen
GERMANY

T 0049.7424.94798.22
F 0049.7424.94798.23

info@doppkon.de
doppkon.de